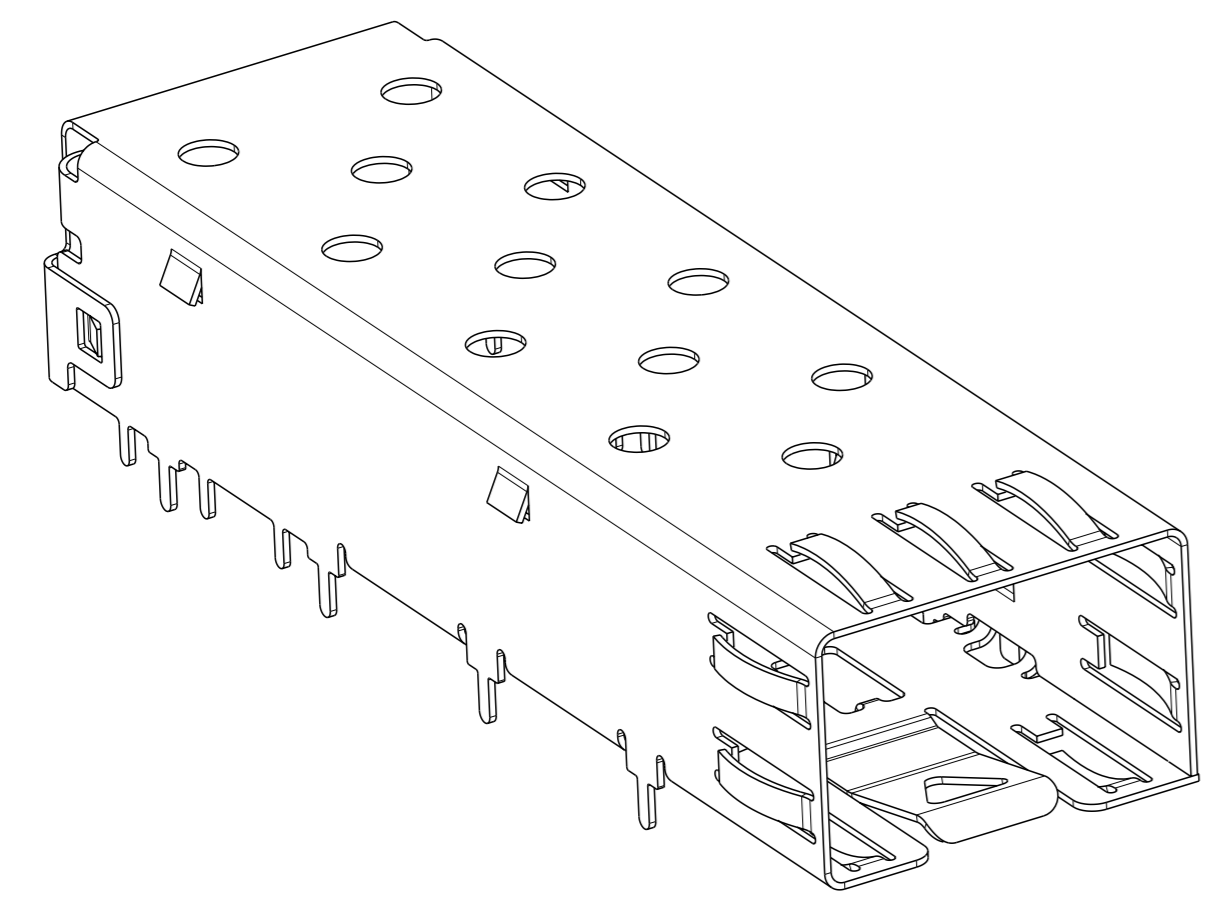
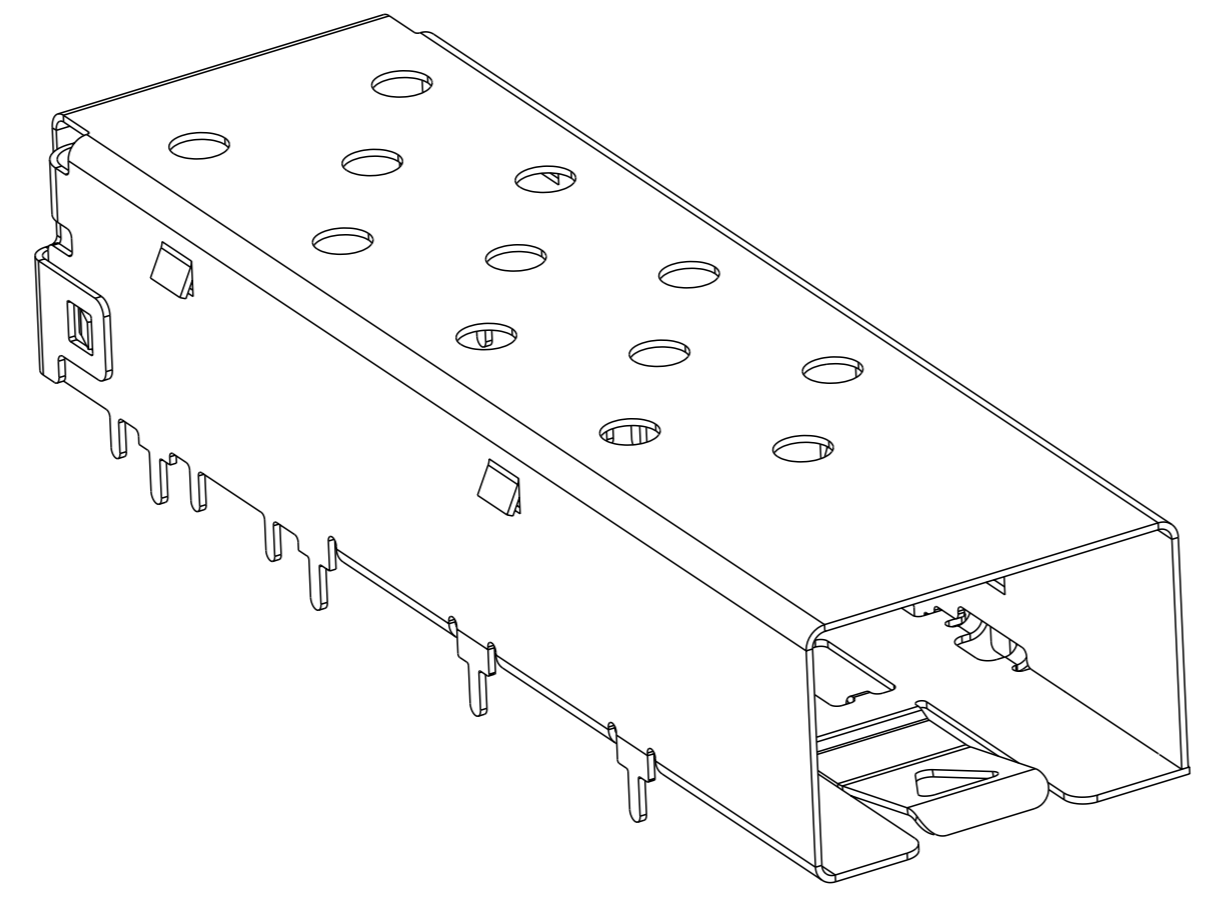


LOC	DIST	REVISIONS					
GP	00	#	LYR	DESCRIPTION	DATE	OWN	APVD
		C		REVISED PER ECR-19-008054	22MAY2019	IT	SH
		C1		ADD PN 2-4	27AUG2019	IT	SH
		C2		ADD PN 1-3 WITH 1.25MM TAILS	15JUN2020	IT	SH
		C3		ADD PN 3-2 PER ECN-21-106888	17MAY2021	SZ	SZ

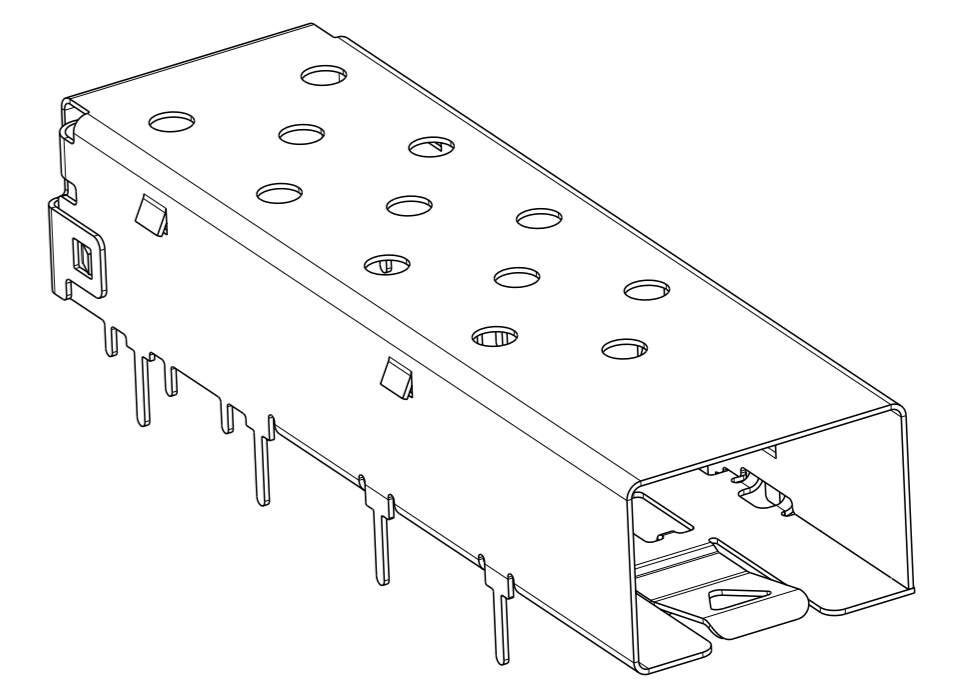


2227303-1, -2, -3, -7  
 1-2227303-2/3

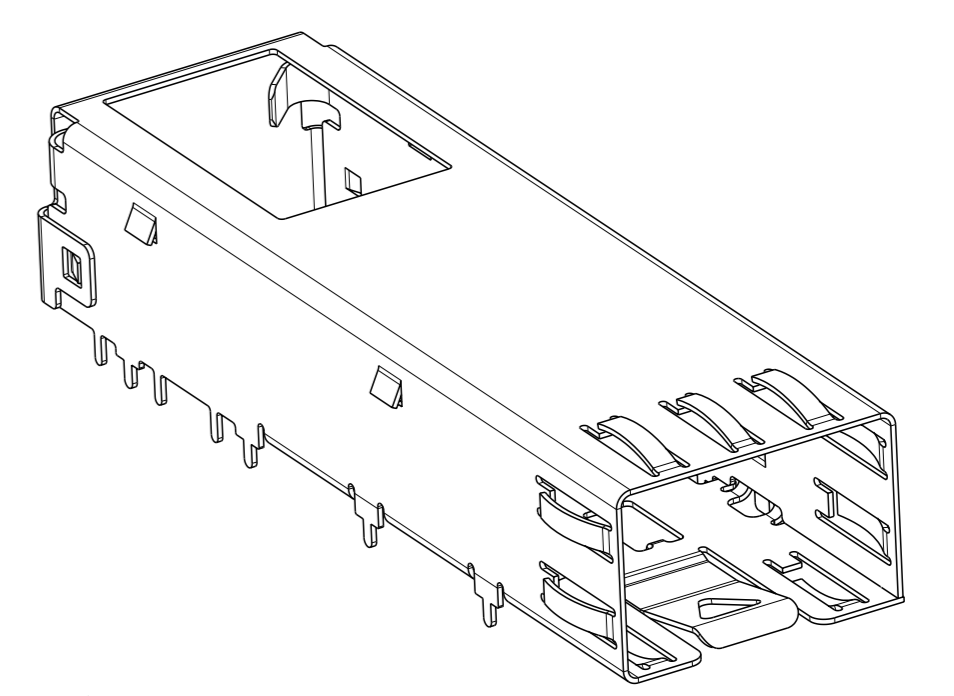
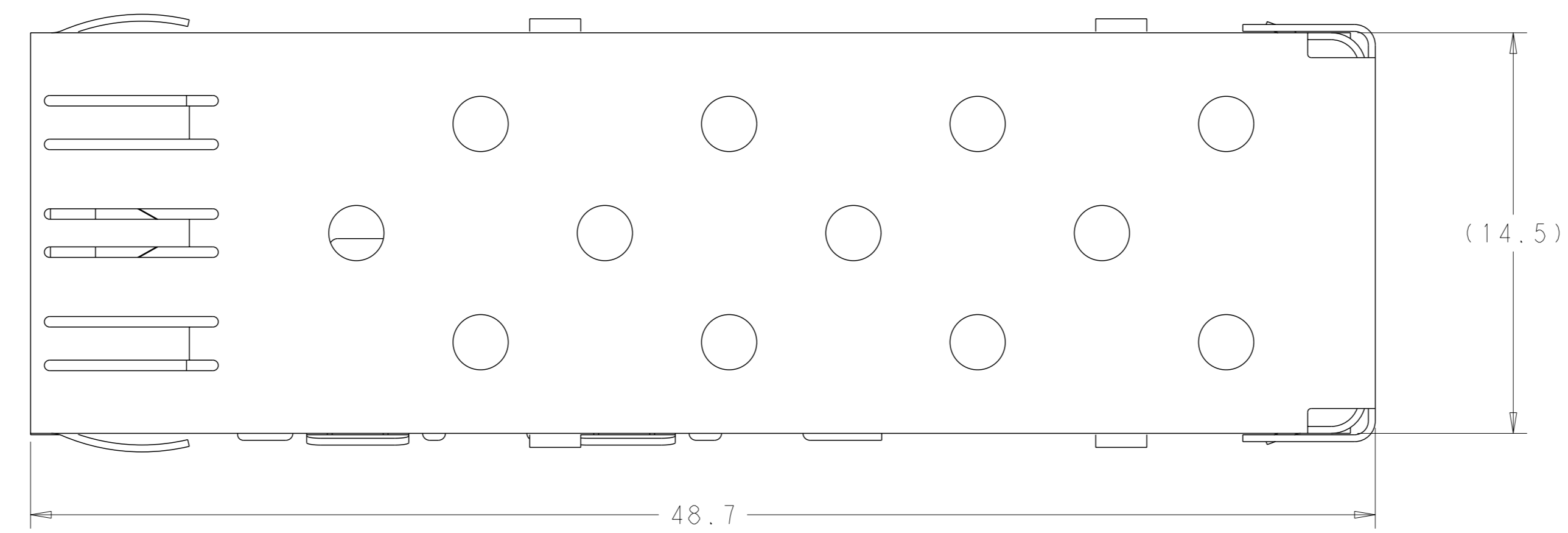


3-2227303-2

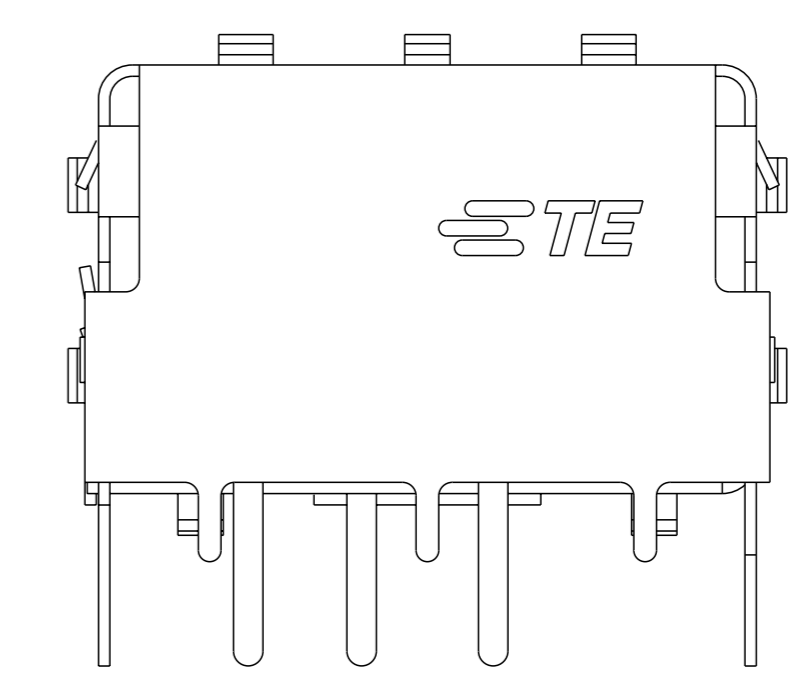
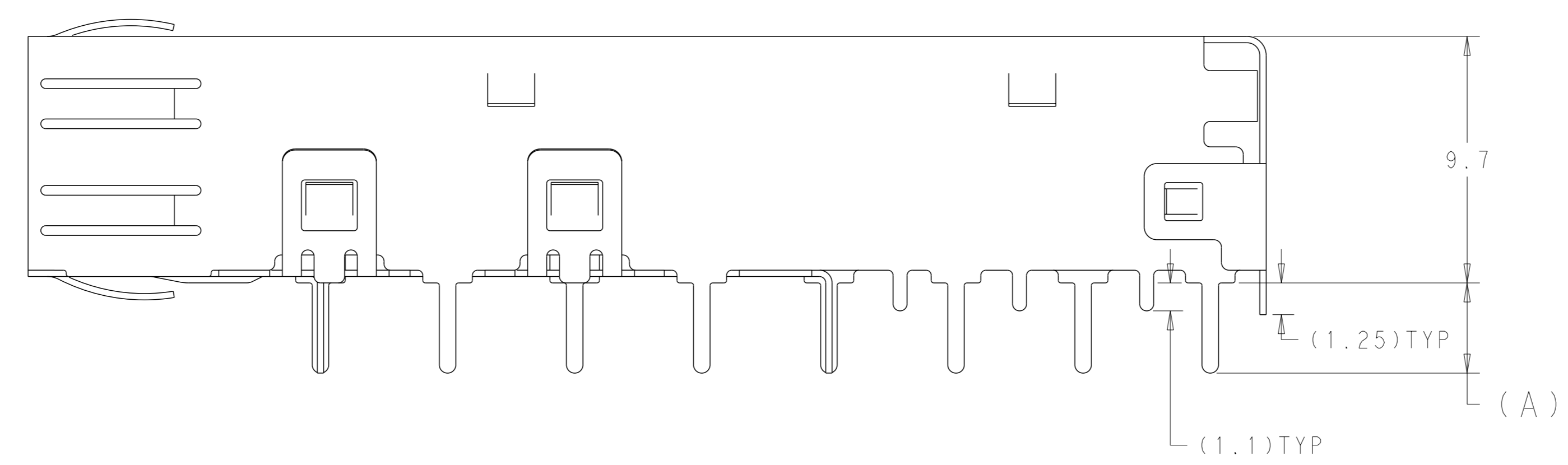
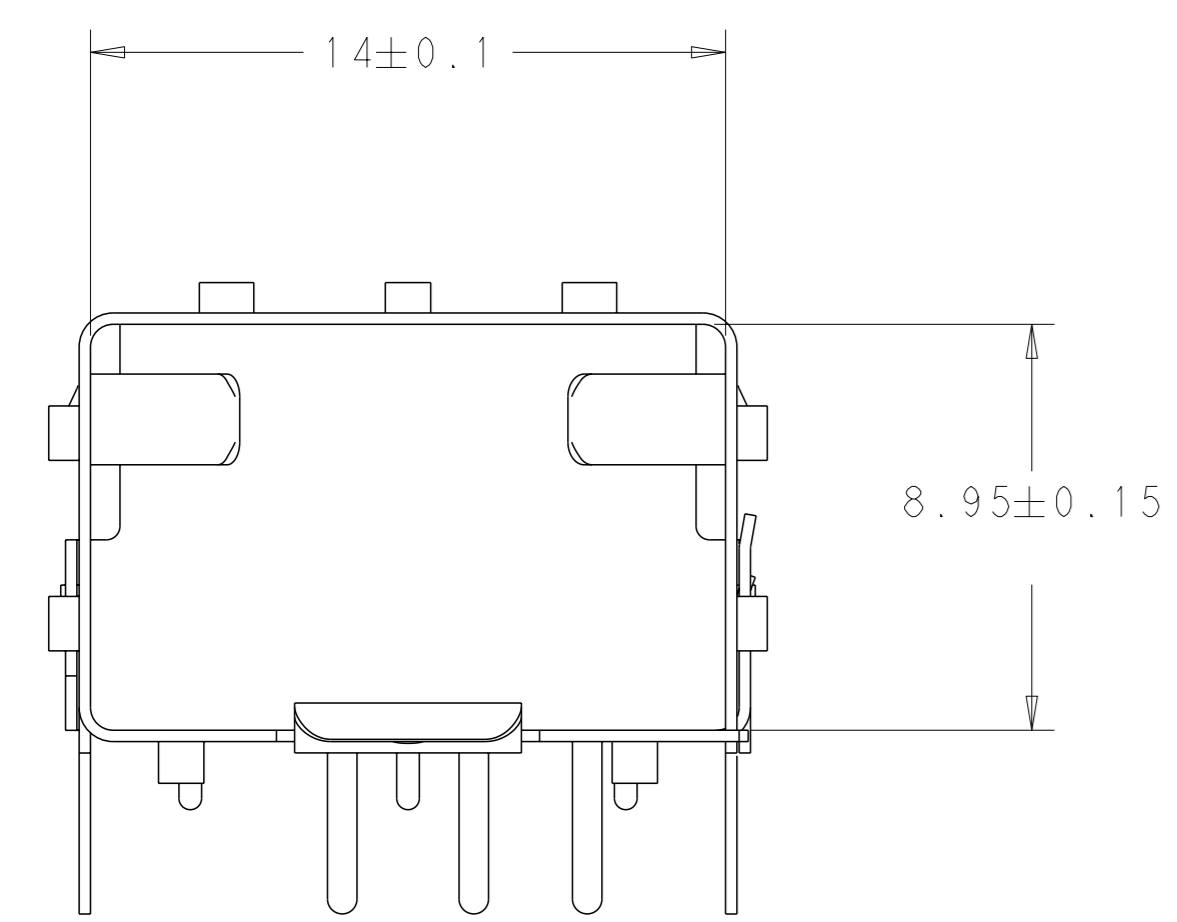
- △ MATERIAL: 0.25mm THICK STAINLESS STEEL.
- △ FINISH: 0.00125mm Min. NICKEL OVER ALL , 0.002mm Min. TIN DIPPED ON SOLDER TABS, NON PLATED EDGES PERMISSIBLE.
- 3. MATES WITH SFP MSA COMPLIANT TRANSCEIVERS.
- △ PADS AND VIAS CHASSIS GROUND.
- △ DATUM AND BASIC DIMENSION ESTABLISHED BY CUSTOMER.
- 6. MINIMUM PC BOARD THICKNESS:  
 SINGLE SIDED = 1.50 mm
- △ REFERENCE APPLICATION SPEC. 114-13120, HOLE A, FOR RECOMMENDED DRILL HOLE DIAMETER AND PLATING THICKNESS.
- △ REFERENCE APPLICATION SPEC. 114-13120, HOLE C, FOR RECOMMENDED DRILL HOLE DIAMETER AND PLATING THICKNESS.
- △ ESD PROTECTION PACKAGE.
- △ WITHOUT THREE LOCATION PINS
- △ WITHOUT EMI SPRING
- △ WITH CUSTOMIZED HEATSINK OPEN
- △ PRELIMINARY PART



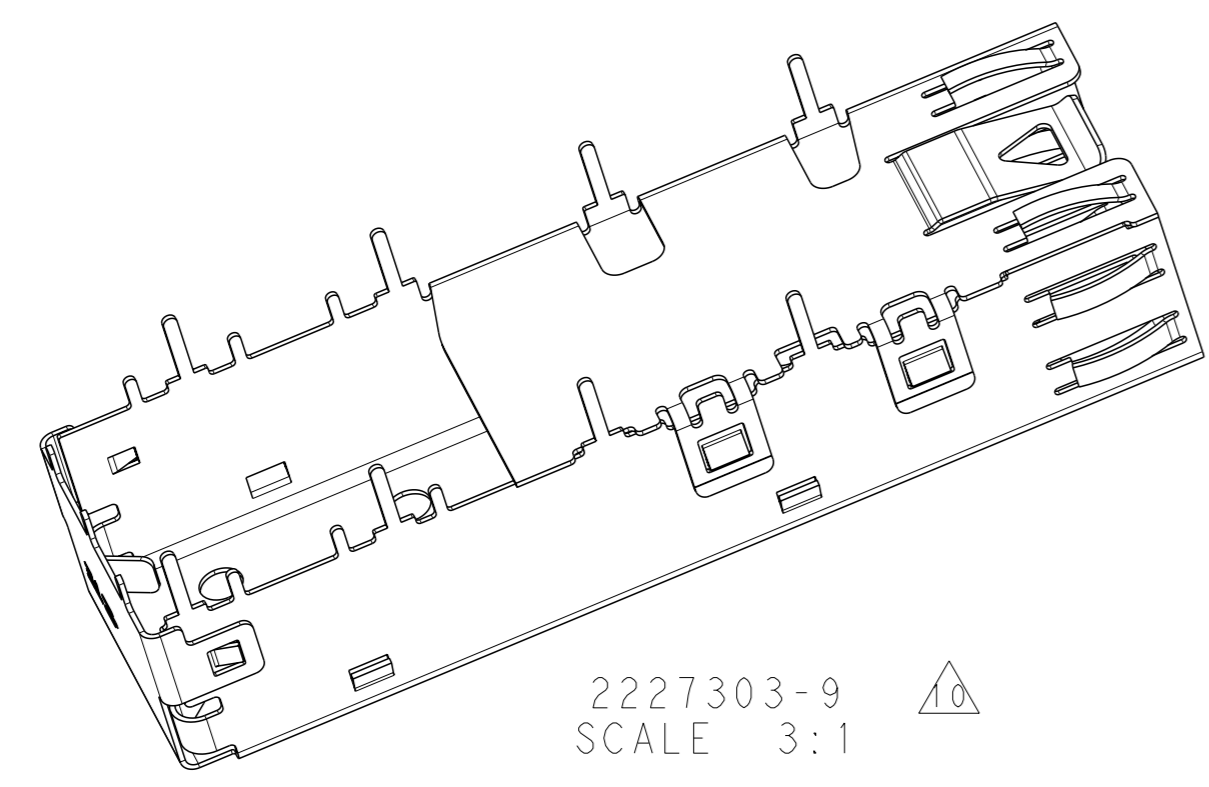
1-2227303-1



2-2227303-2, 2-2227303-4



DESCRIPTION	PACKAGING	A	PART NUMBER
WITHOUT EMI SPRING	REEL	1.80	3-2227303-2
WITH HEATSINK OPEN	△ REEL	1.25	2-2227303-4
WITH HEATSINK OPEN	△ REEL	1.25	2-2227303-2
WITHOUT EMI SPRING	△ TRAY	3.55	1-2227303-1
WITHOUT LOCATION PIN	△ TRAY	3.55	2227303-9
ALL PINS 3.55 LENGTH	△ TRAY	3.55	2227303-7
STANDARD TYPE WITH AIR VENTS, EMI SPRING, LOCATION PIN	△ REEL	1.25	1-2227303-3
	△ REEL	1.80	1-2227303-2
	TRAY	1.80	2227303-3
	REEL	1.80	2227303-2
TRAY	3.55	2227303-1	



2227303-9  
 SCALE 3:1

THIS DRAWING IS A CONTROLLED DOCUMENT. DIMENSIONING AND TOLERANCING PER ASME Y14.5M-2009.

OWN: C. VALENTINE 19OCT2012  
 CHK: M. SCHMITT 19OCT2012  
 APVD: M. SCHMITT 19OCT2012

NAME: SFP, 1X1 SINGLE PIECE CAGE, SOLDER PIN

PRODUCT SPEC: 108-1950  
 APPLICATION SPEC: 114-13120

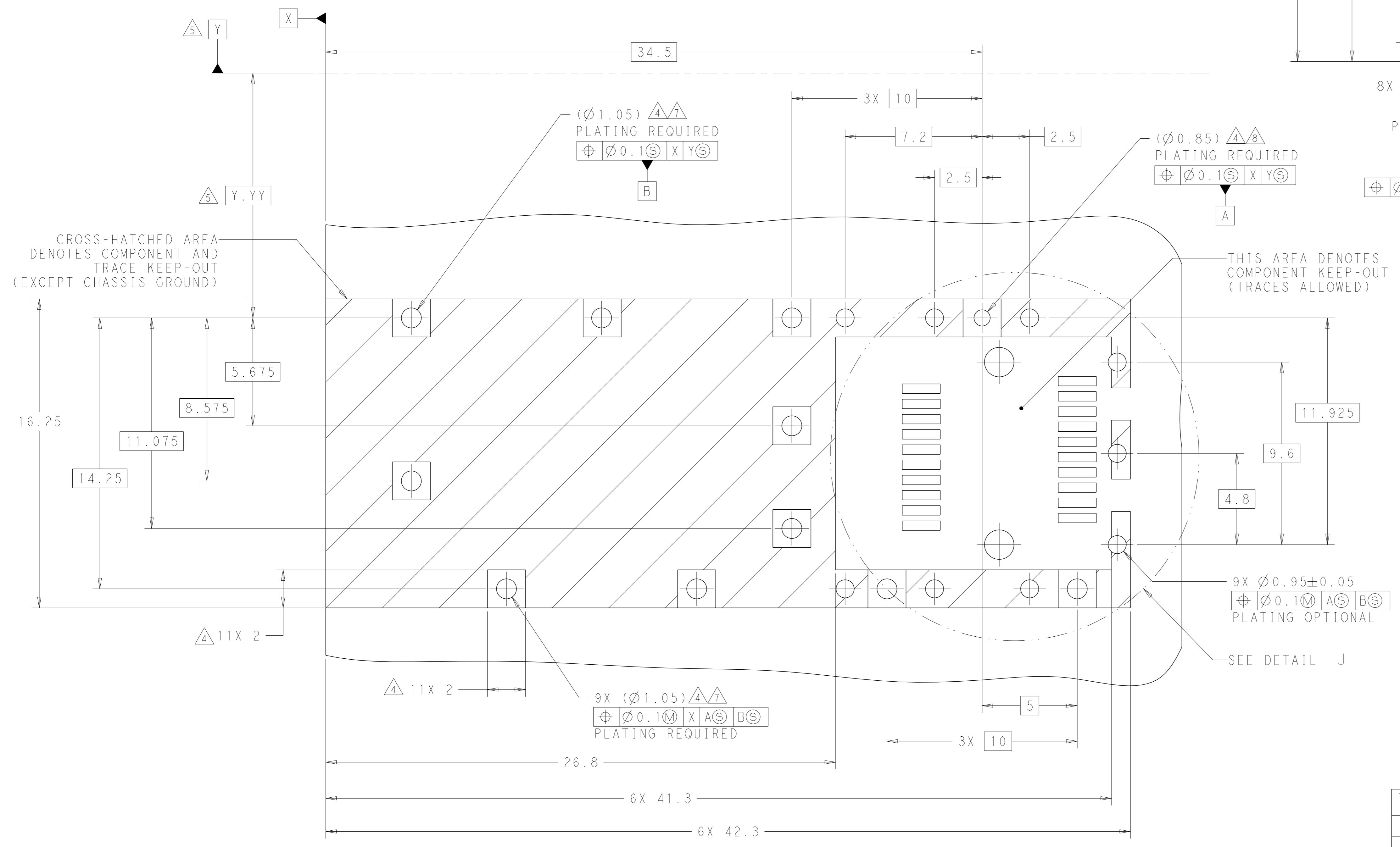
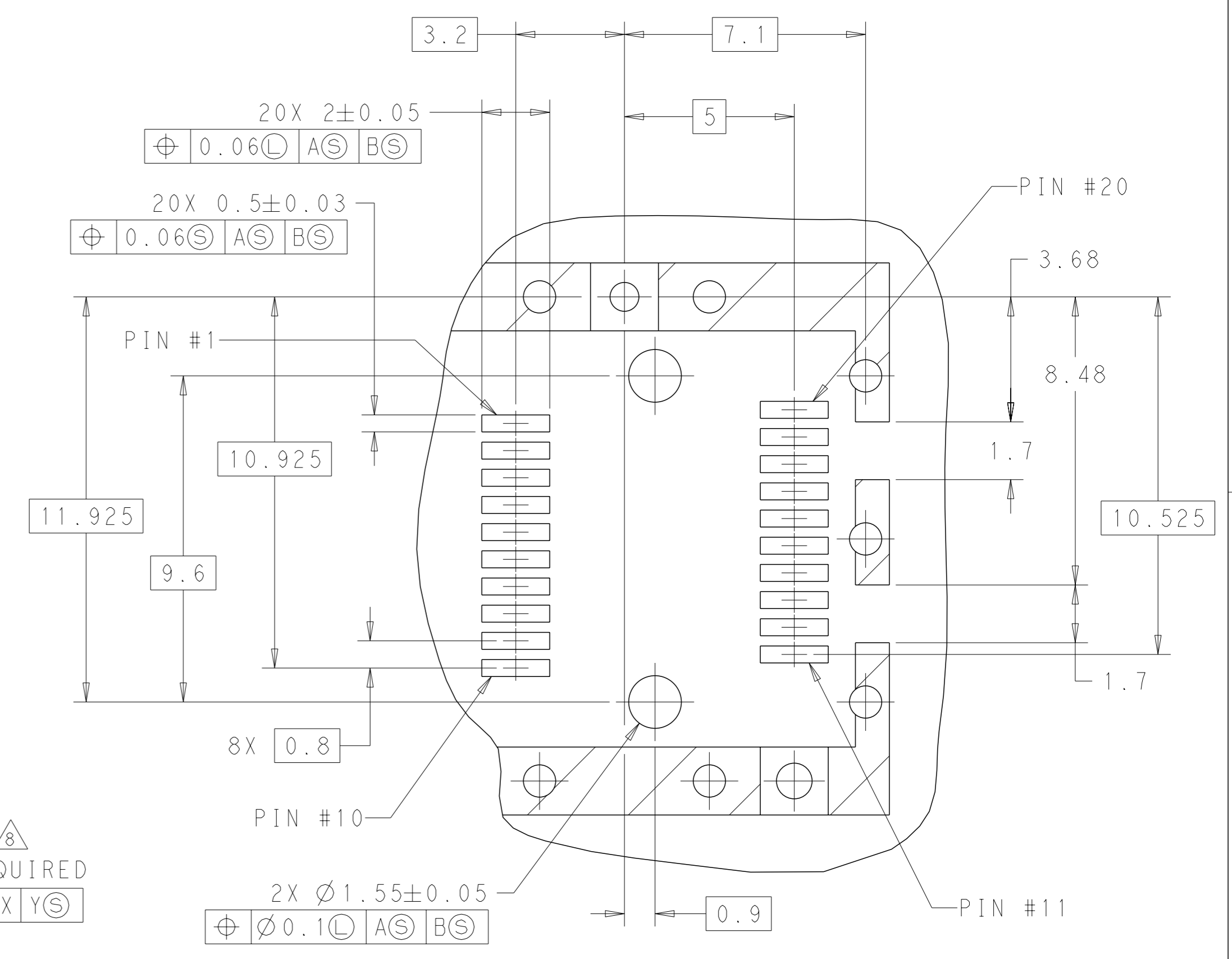
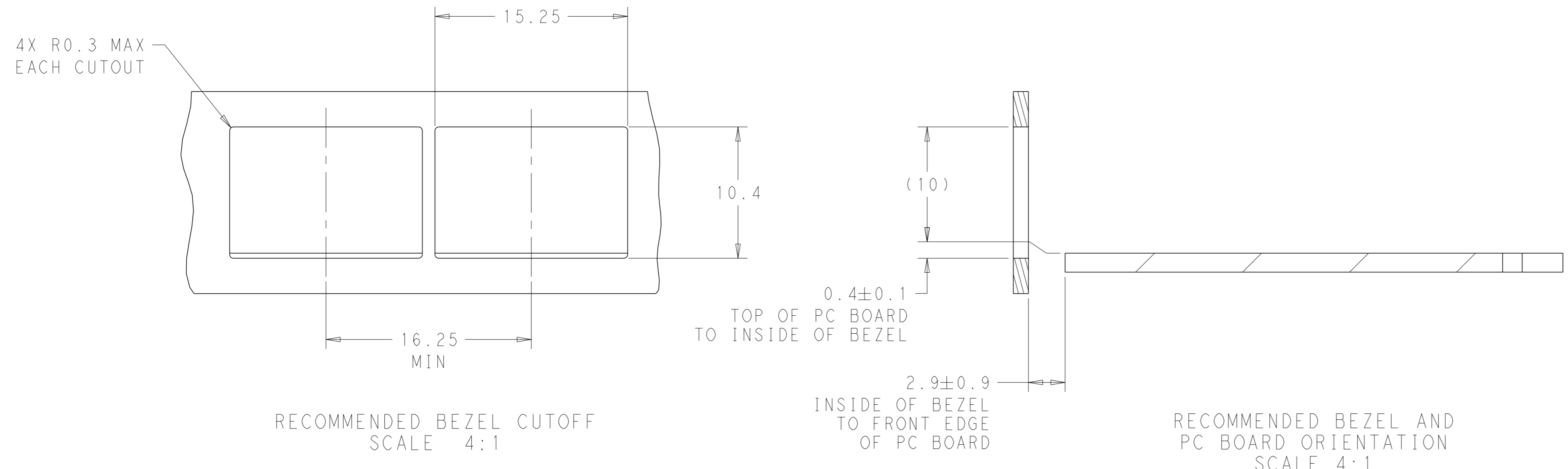
SIZE: A1 CAGE CODE: 00779 DRAWING NO: 2227303  
 WEIGHT: -

Customer Drawing

SCALE: 6:1 SHEET: 1 OF 3 REV: C3

STE TE Connectivity

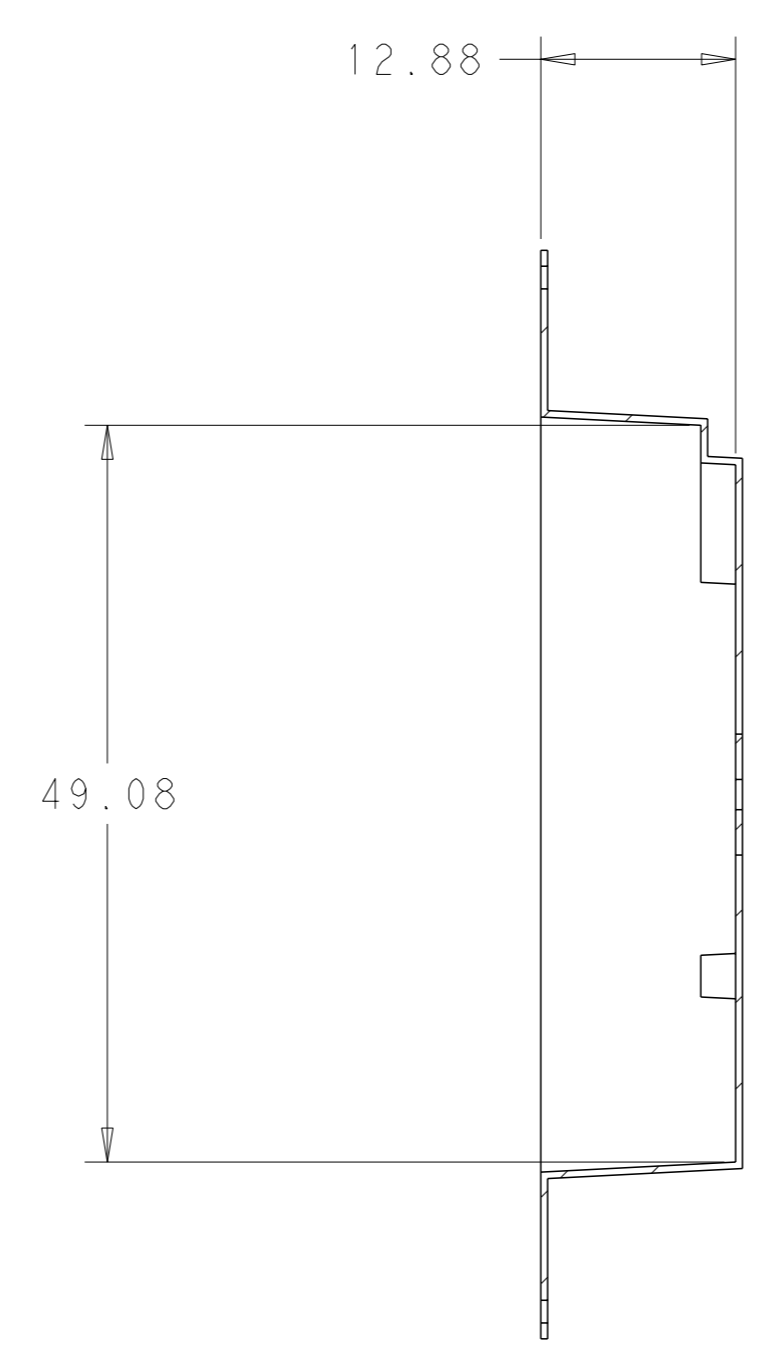
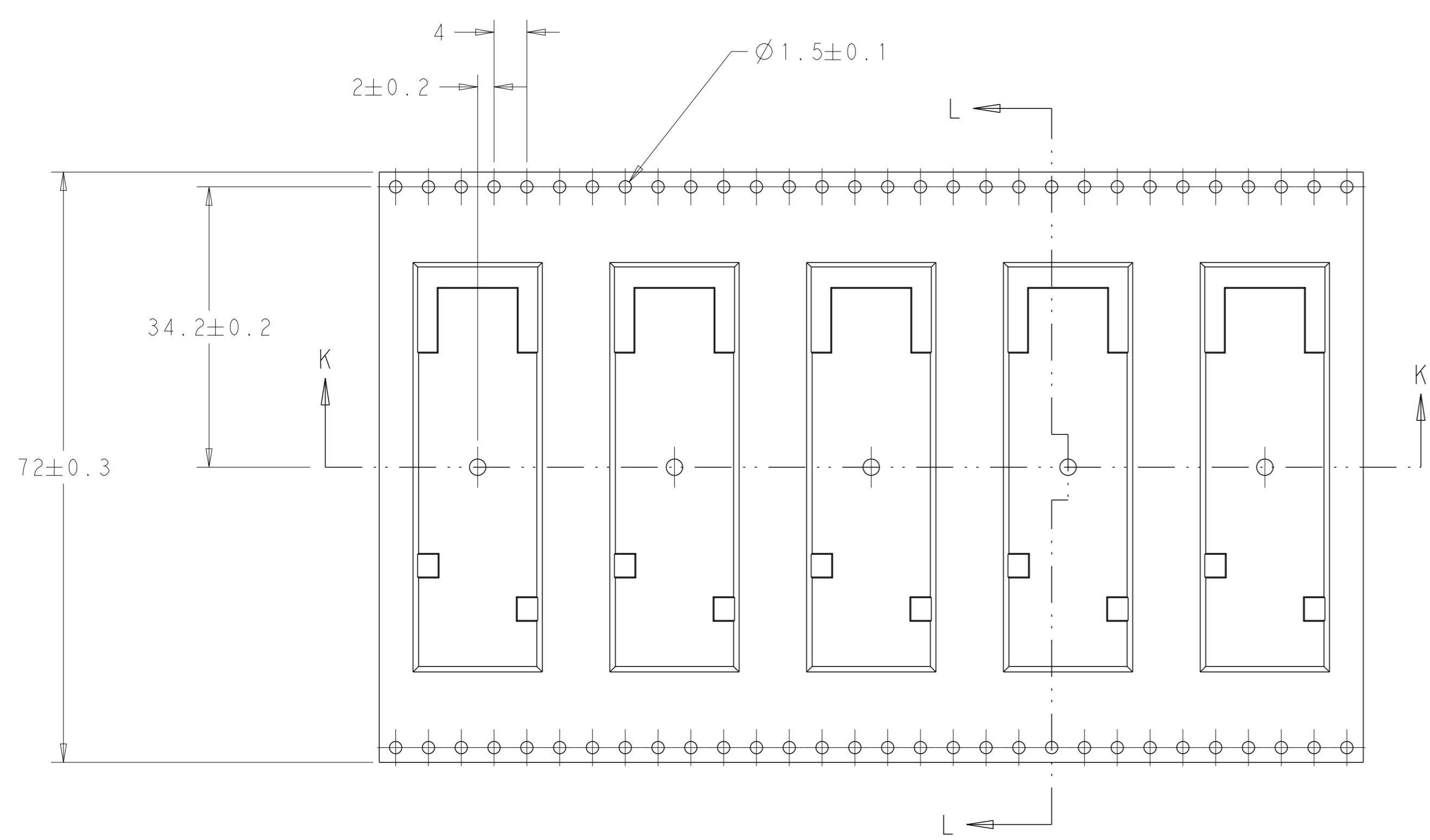
LOC	DIST	REVISIONS			
GP	00	REV	DATE	OWN	APVD
		1	SEE SHEET 1		



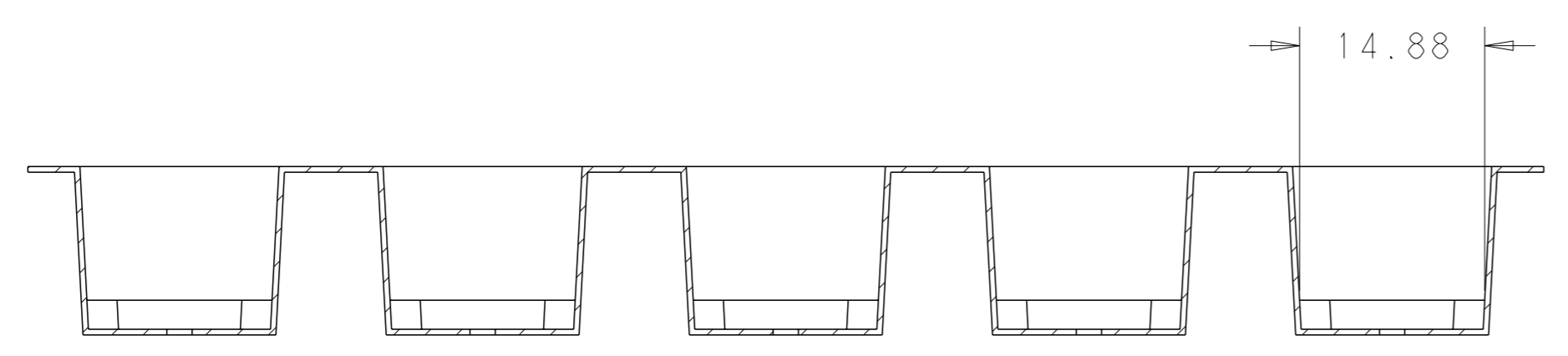
RECOMMENDED PCB LAYOUT SCALE 8:1

THIS DRAWING IS A CONTROLLED DOCUMENT. DIMENSIONING AND TOLERANCING PER ASME Y14.5M-2009.		OWN: C. VALENTINE 19OCT2012	TE Connectivity
DIMENSIONS: mm		CHK: M. SCHMITT 19OCT2012	
TOLERANCES UNLESS OTHERWISE SPECIFIED:		APVD: M. SCHMITT 19OCT2012	NAME: SFP, 1X1 SINGLE PIECE CAGE, SOLDER PIN
0 PLC ±0.1		PRODUCT SPEC: 108-1950	SIZE: -
1 PLC ±0.1		APPLICATION SPEC: 114-13120	RESTRICTED TO: -
2 PLC ±0.1		WEIGHT: -	SCALE: 6:1
3 PLC ±0.1		Customer Drawing	SHEET 2 OF 3
4 PLC ±0.1			REV: C3
ANGLES: -			
FINISH: -			

LOC	DIST	REVISIONS			
P	LYR	DESCRIPTION	DATE	OWN	APVD
GP	00	SEE SHEET 1	-	-	-

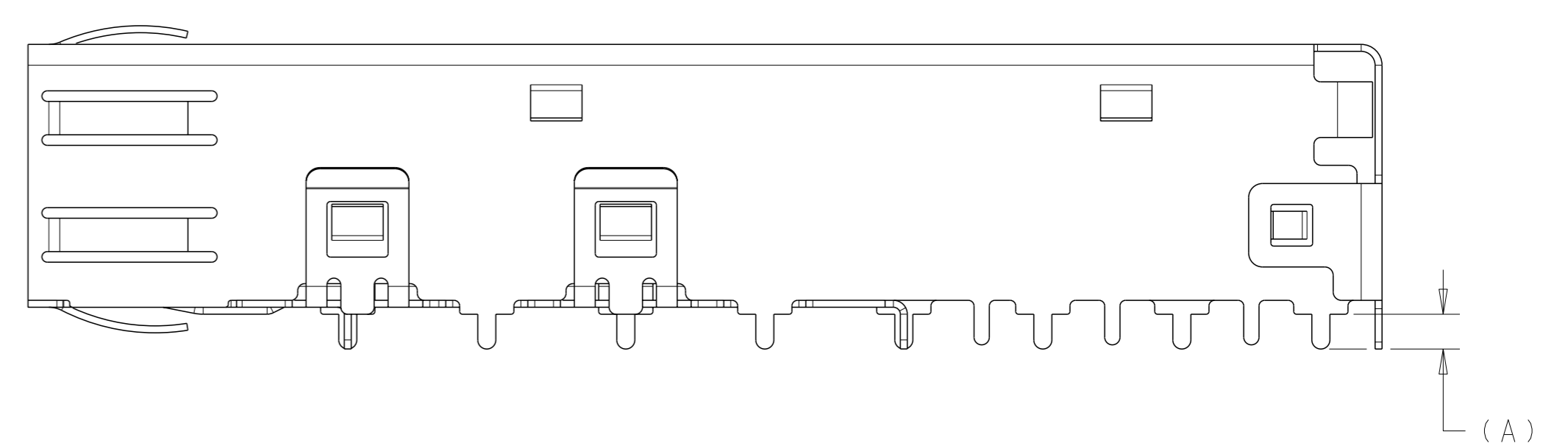
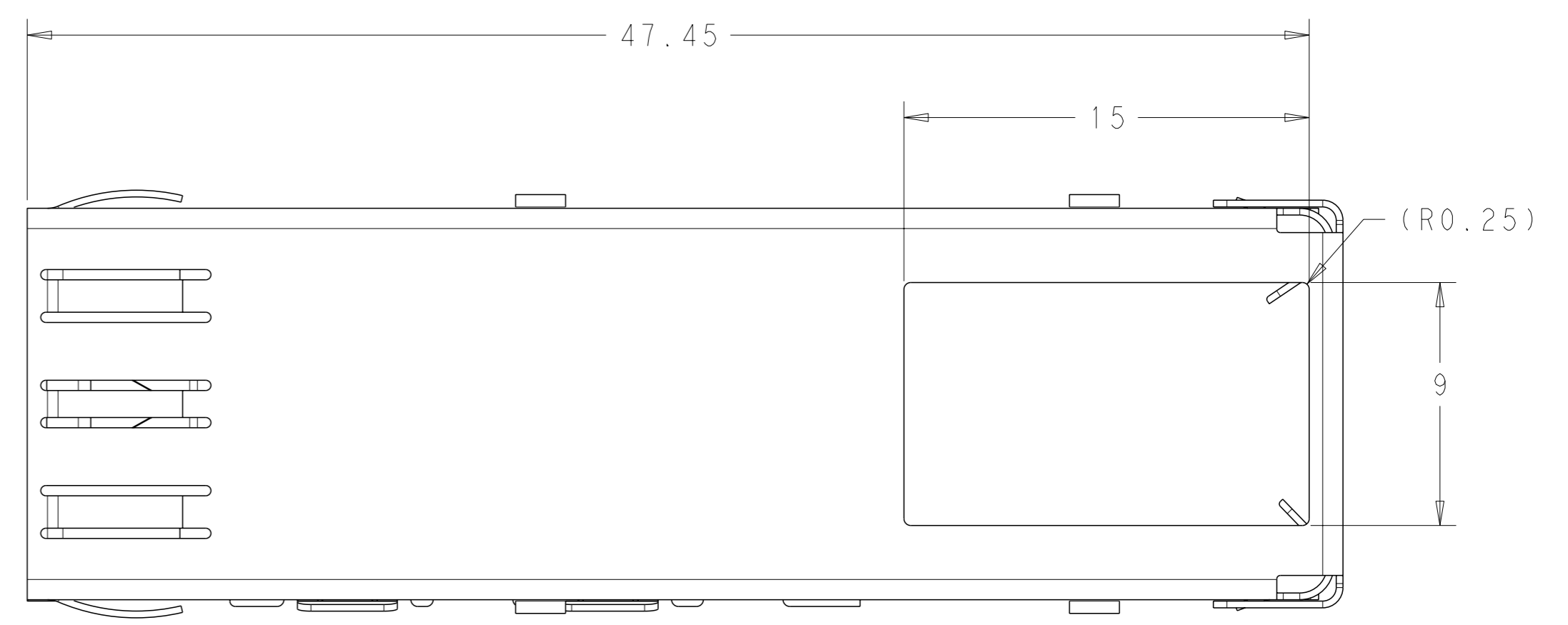


SECTION L-L

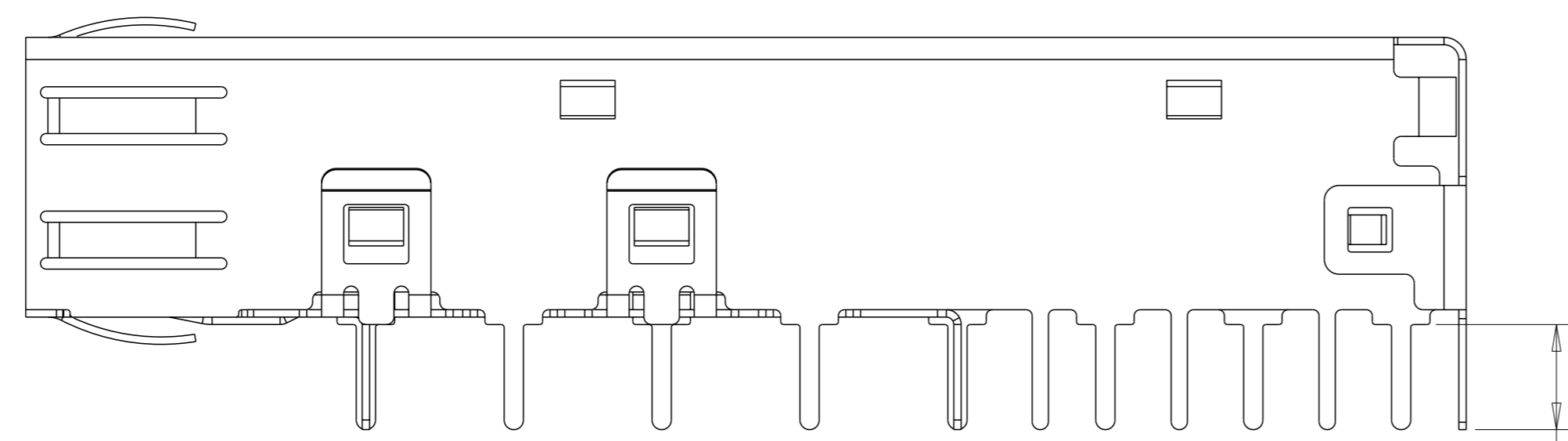
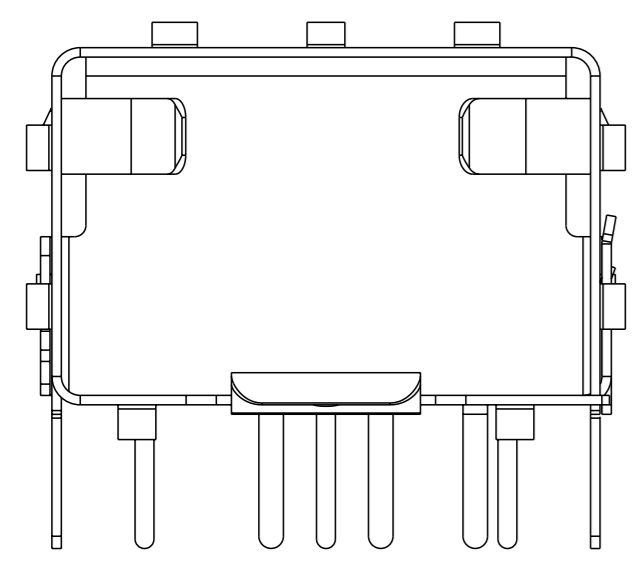


SECTION K-K  
SCALE 2:1

2227303-2 / 1-222303-2 REEL PACKAGING



2-2227303-2 AS SHOWN  
UNMARKED DIMENSIONS SAME AS 2227303-1  
SCALE 5:1



(A)  
APPLIED ALL PINS

2227303-7  
UNMARKED DIMENSIONS SAME AS 2227303-1  
SCALE 5:1

THIS DRAWING IS A CONTROLLED DOCUMENT. DIMENSIONING AND TOLERANCING PER ASME Y14.5M-2009.		OWN: C. VALENTINE 19OCT2012	TE Connectivity
DIMENSIONS: mm		CHK: M. SCHMITT 19OCT2012	
TOLERANCES UNLESS OTHERWISE SPECIFIED:		APVD: M. SCHMITT 19OCT2012	NAME: SFP, 1X1 SINGLE PIECE CAGE, SOLDER PIN
0 PLC ±0.1	1 PLC ±0.1	PRODUCT SPEC: 108-1950	SIZE: CAGE CODE DRAWING NO. RESTRICTED TO
2 PLC ±0.1	3 PLC ±0.1	APPLICATION SPEC: 114-13120	A100779C=2227303
4 PLC ±	ANGLES ±°	WEIGHT: -	SCALE: 6:1 SHEET 3 OF 3 REV: C3
MATERIAL: -	FINISH: -	Customer Drawing	

# Mouser Electronics

Authorized Distributor

Click to View Pricing, Inventory, Delivery & Lifecycle Information:

[TE Connectivity:](#)

[1-2227303-2](#)